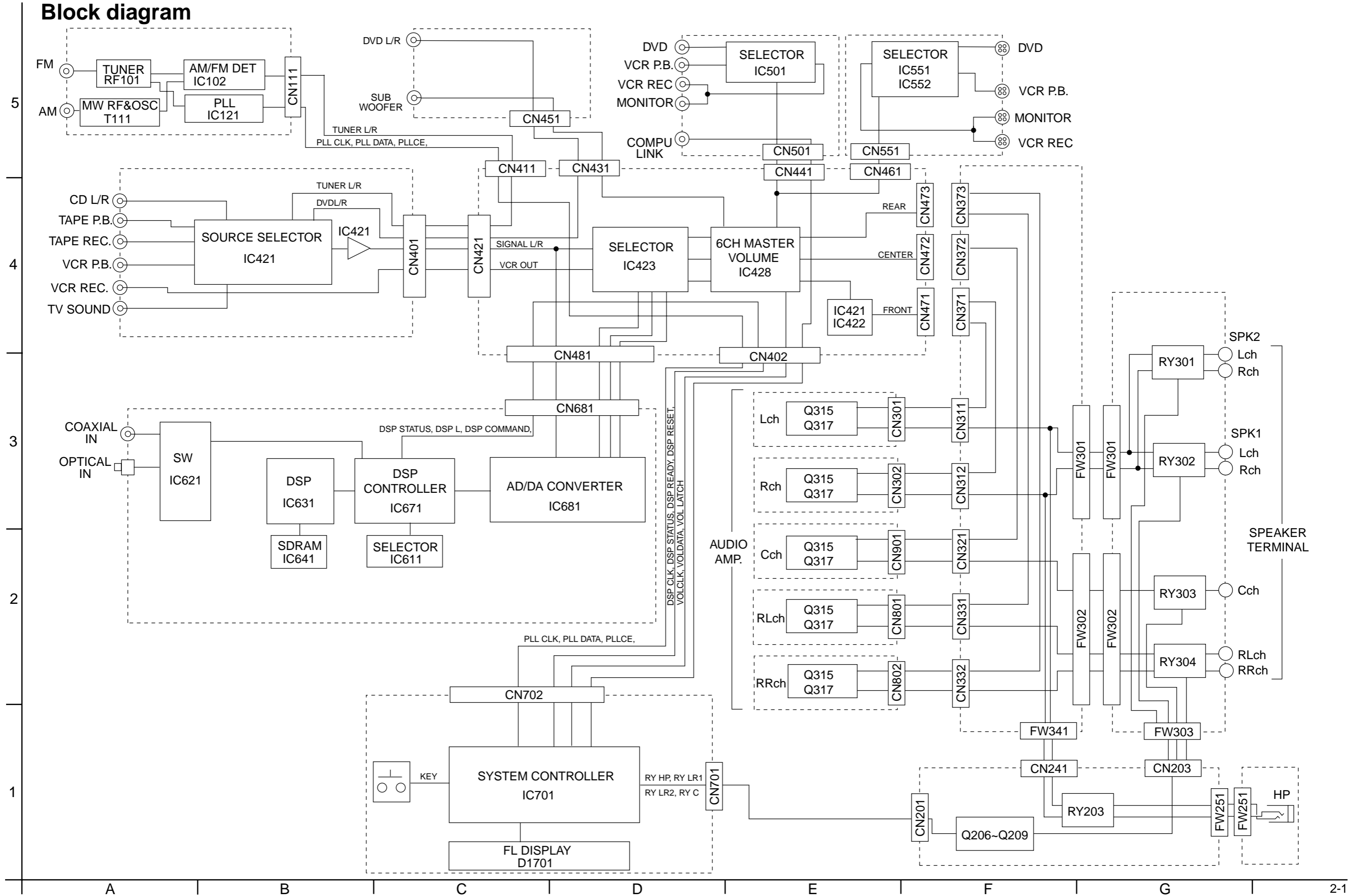
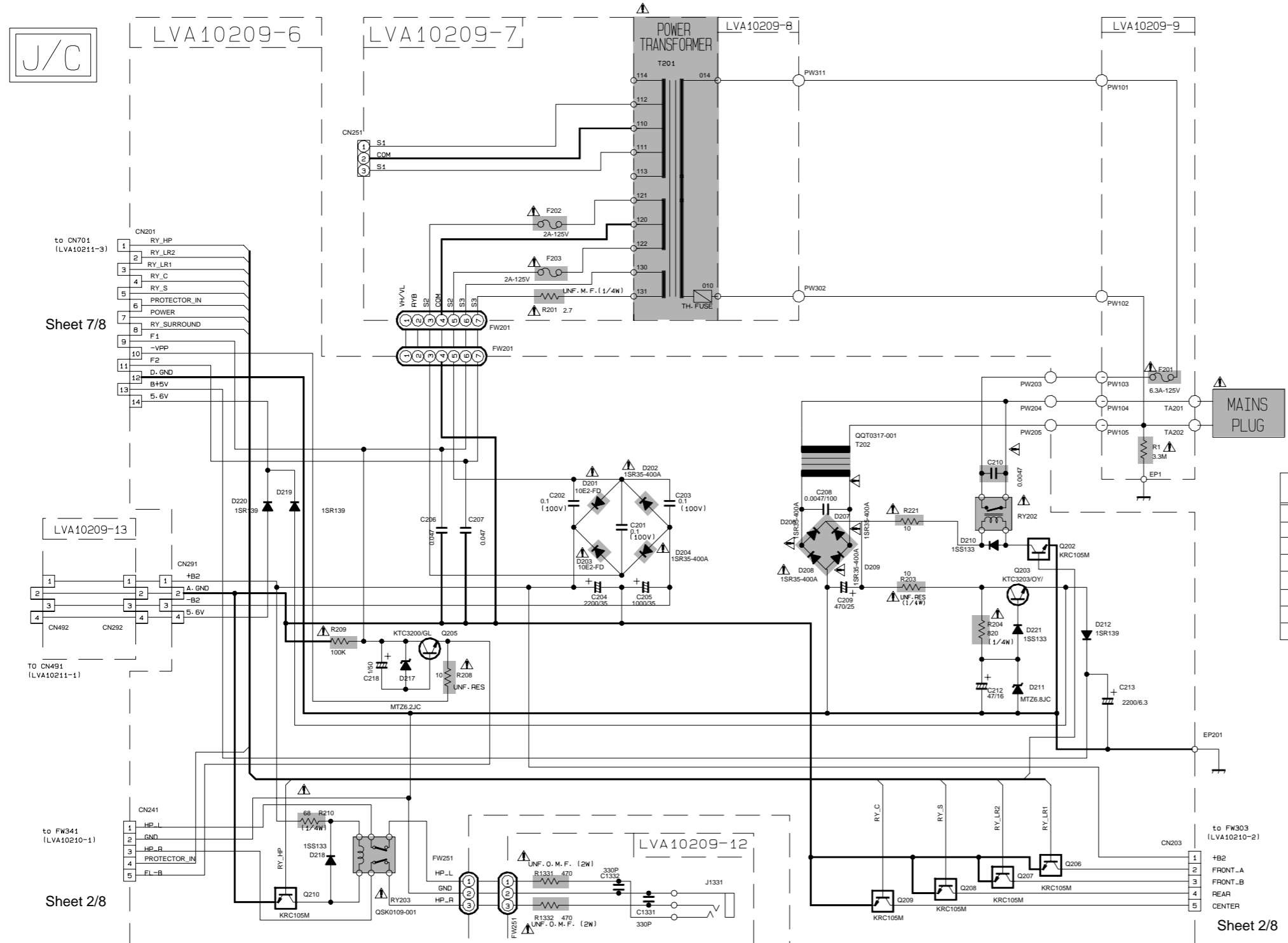


Block diagram



Standard schematic diagrams

■ Power supply section



SHEET NUMBER	CIRCUIT DESCRIPTION
1 / 8	POWER SUPPLY
2 / 8	SPEAKER TERMINAL
3 / 8	AUDIO AMP
4 / 8	VOLUME / REGULATOR / SOURCE SELECT IC
5 / 8	AUDIO VIDEO SIGNAL INPUT TERMINAL
6 / 8	SURROUND IC / DIGITAL SIGNAL INPUT TERMINAL
7 / 8	USER CONTROL KEY / SYSTEM CONTROL LSI / FL DISPLAY
8 / 8	TUNER

▲ Parts are safety assurance parts. When replacing those parts make sure to use the specified.

■ Audio & Speaker terminal section

Sheet 1/8

LVA10210-1

FW485 (LVA10211-1) Sheet 4/8

LVA10210-2

Sheet 1/8

Sheet 1/8

Sheet 1/8

Sheet 1/8

Sheet 1/8

Sheet 1/8

Sheet 1/8

Sheet 1/8

Sheet 1/8

Sheet 1/8

Sheet 1/8

Sheet 1/8

Sheet 1/8

Sheet 1/8

Sheet 1/8

Sheet 1/8

Sheet 1/8

Sheet 1/8

Sheet 1/8

Sheet 1/8

Sheet 1/8

Sheet 1/8

Sheet 1/8

Sheet 1/8

Sheet 1/8

Sheet 1/8

Sheet 1/8

Sheet 1/8

Sheet 1/8

Sheet 1/8

Sheet 1/8

Sheet 1/8

Sheet 1/8

Sheet 1/8

Sheet 1/8

Sheet 1/8

Sheet 1/8

Sheet 1/8

Sheet 1/8

Sheet 1/8

Sheet 1/8

Sheet 1/8

Sheet 1/8

Sheet 1/8

Sheet 1/8

Sheet 1/8

Sheet 1/8

Sheet 1/8

Sheet 1/8

Sheet 1/8

Sheet 1/8

Sheet 1/8

Sheet 1/8

Sheet 1/8

Sheet 1/8

Sheet 1/8

Sheet 1/8

Sheet 1/8

Sheet 1/8

Sheet 1/8

Sheet 1/8

Sheet 1/8

Sheet 1/8

Sheet 1/8

Sheet 1/8

Sheet 1/8

Sheet 1/8

Sheet 1/8

Sheet 1/8

Sheet 1/8

Sheet 1/8

Sheet 1/8

Sheet 1/8

Sheet 1/8

Sheet 1/8

Sheet 1/8

Sheet 1/8

Sheet 1/8

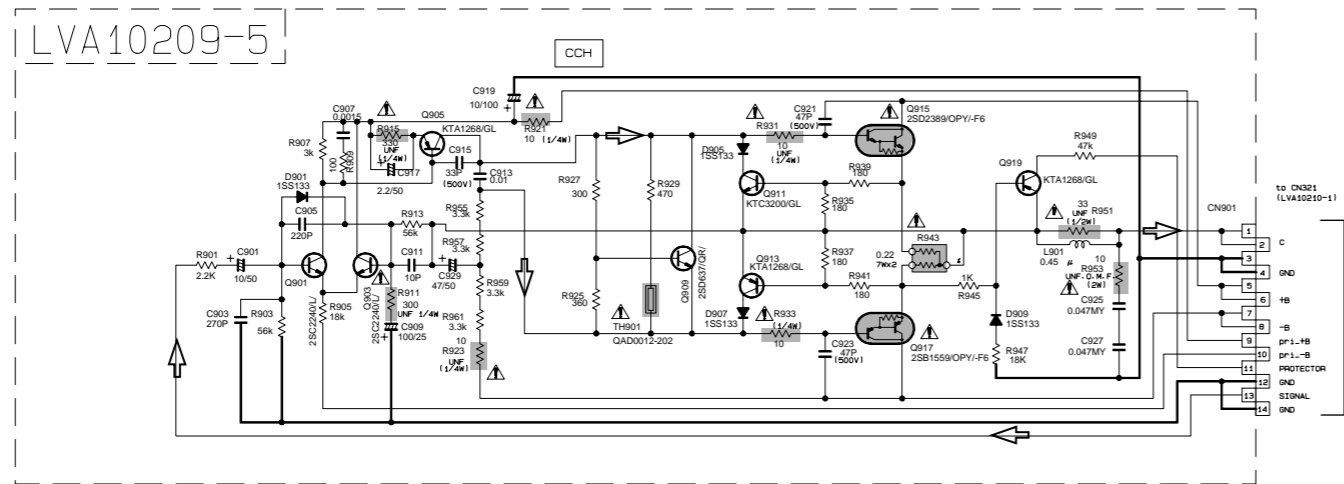
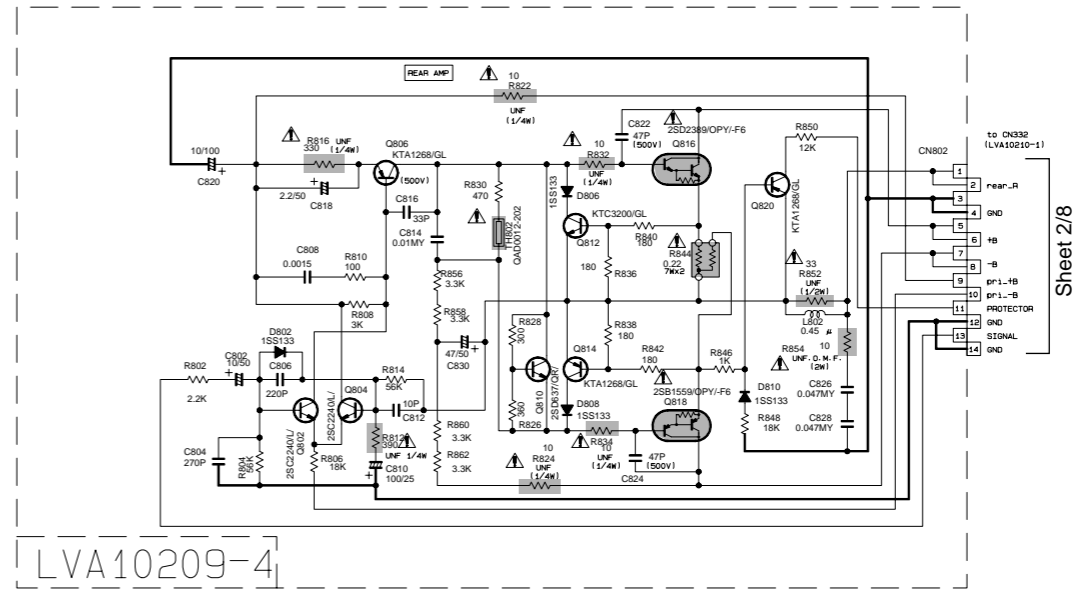
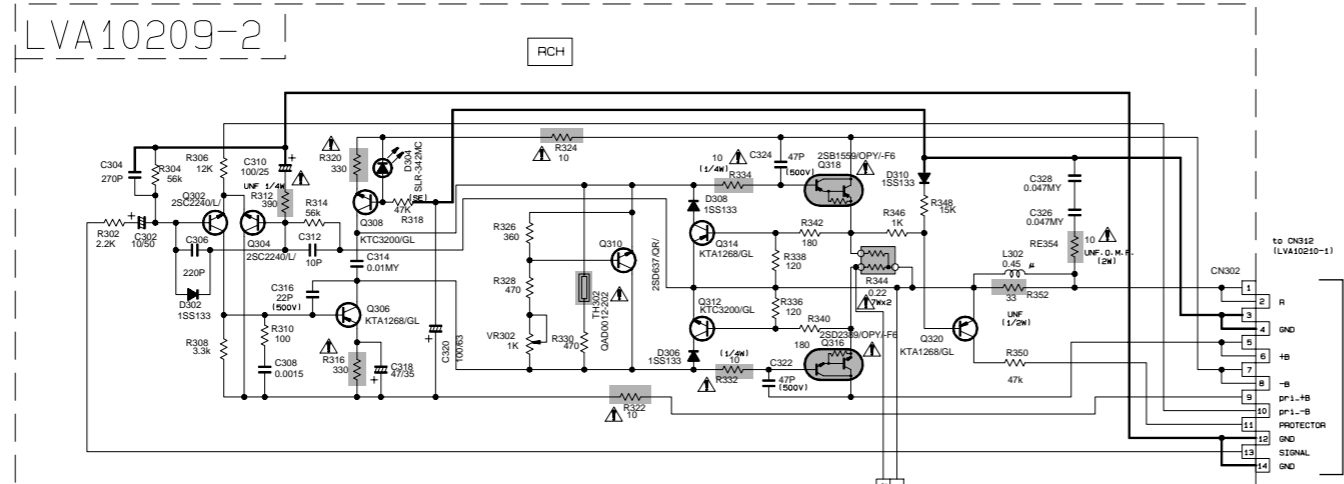
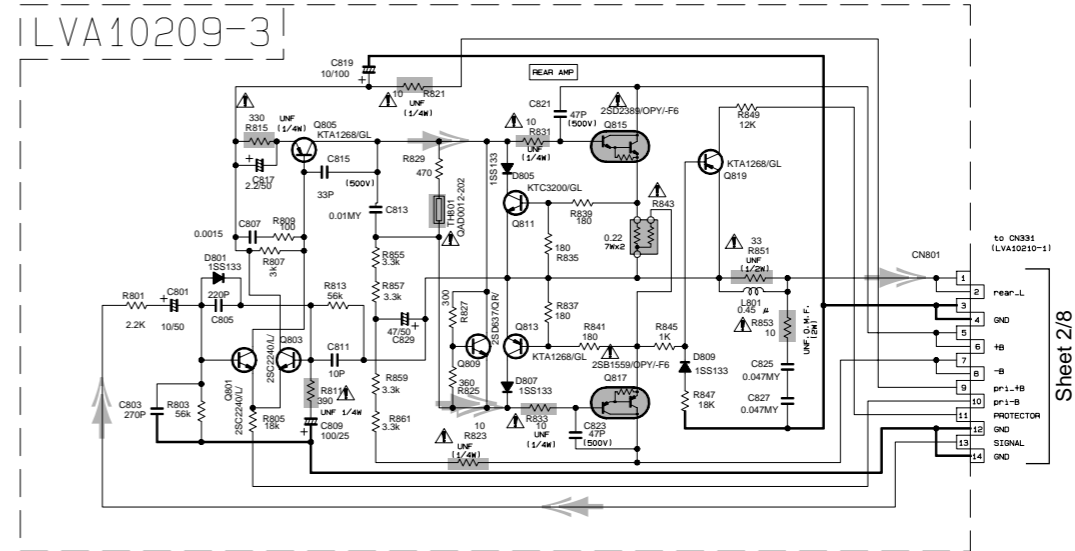
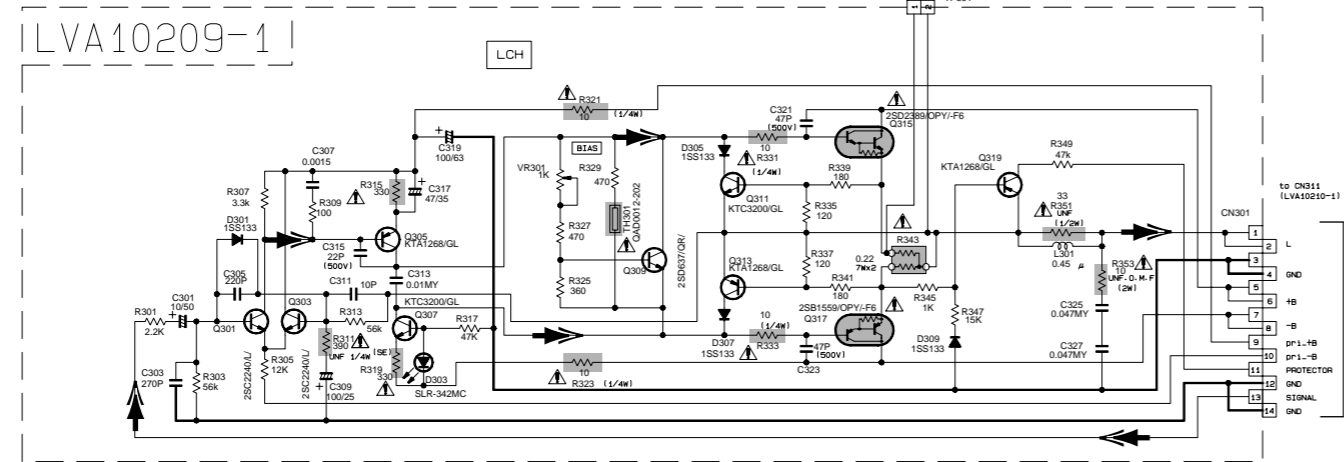
Sheet 1/8

Sheet 1/8

- SURROUND signal
- ➡ FRONT signal
- CENTER signal

⚠ Parts are safety assurance parts. When replacing those parts make sure to use the specified.

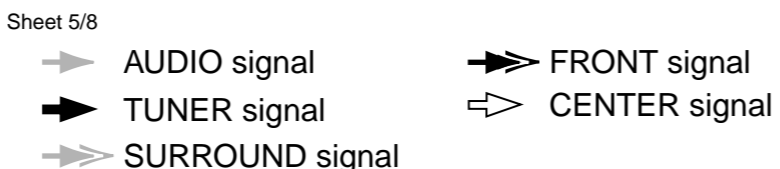
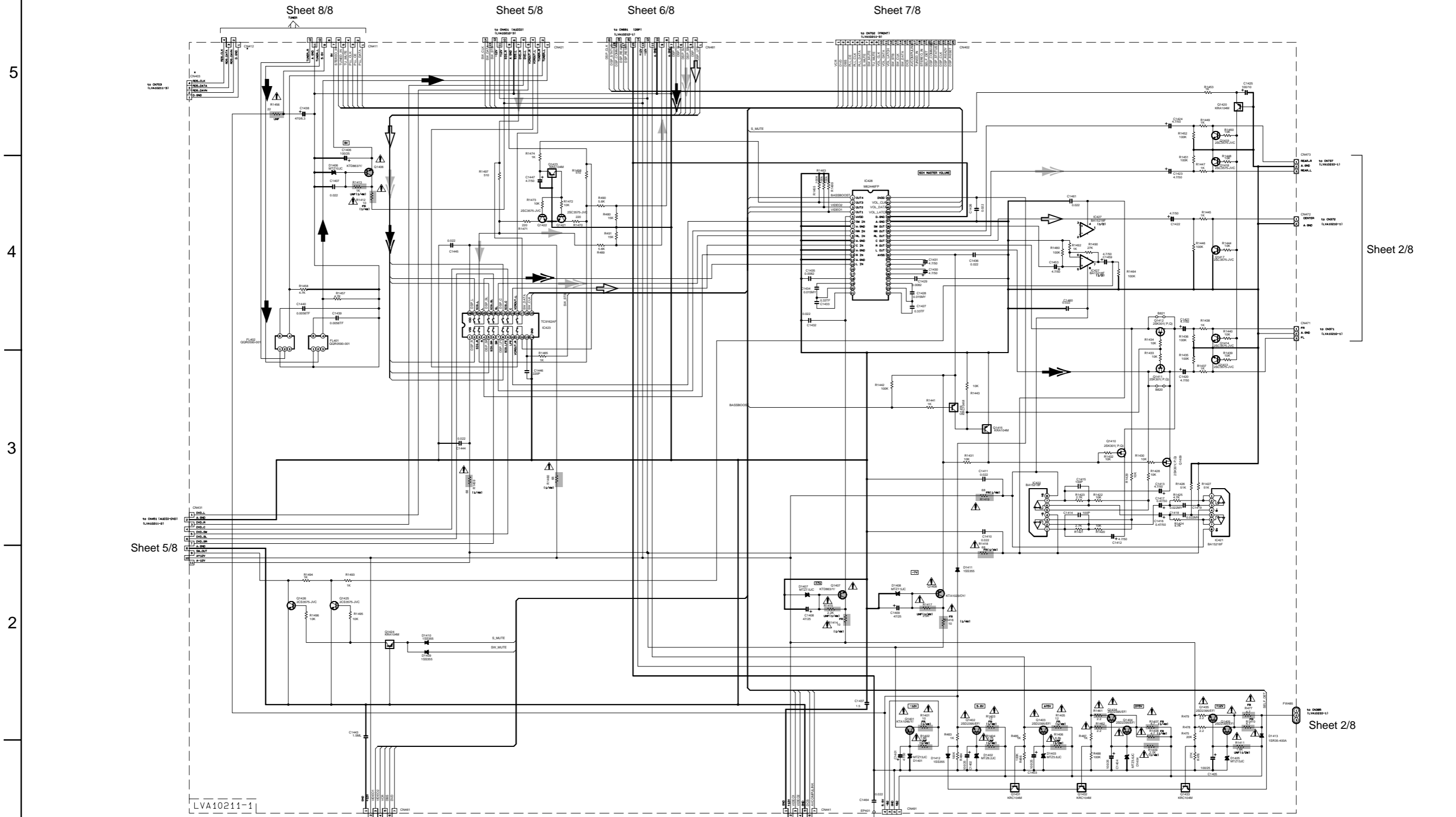
Audio amplifier section



- ➔ SURROUND signal
- ➔ FRONT signal
- ➔ CENTER signal

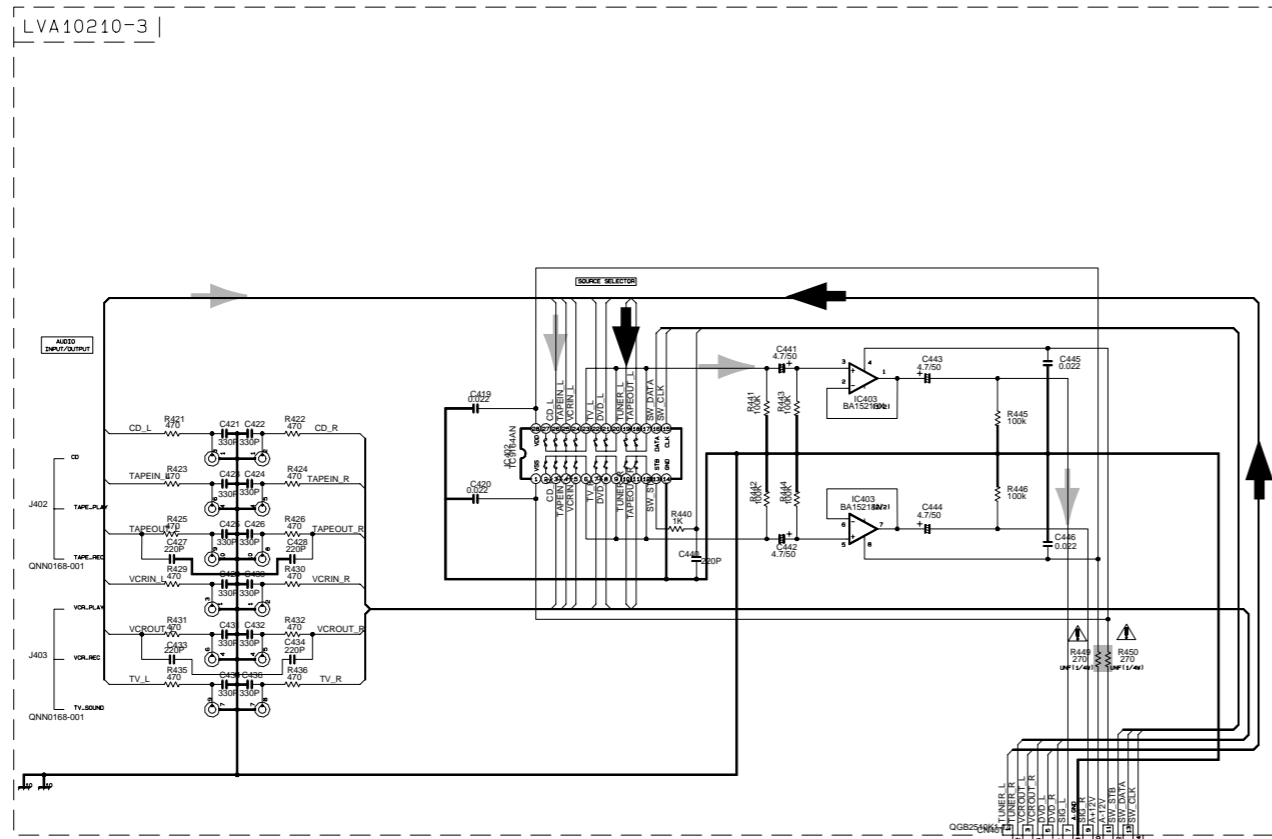
⚠ Parts are safety assurance parts. When replacing those parts make sure to use the specified.

■ Main section

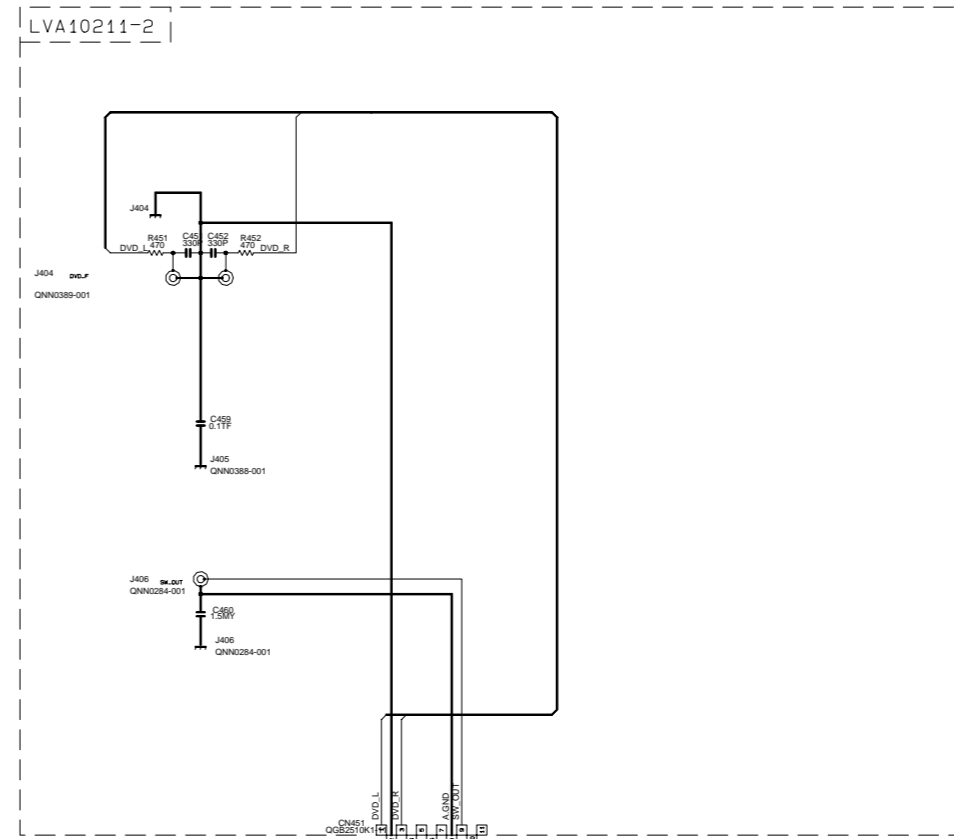


⚠ Parts are safety assurance parts.
When replacing those parts make
sure to use the specified.

■ Audio / Video / S Video / DVD signal input section



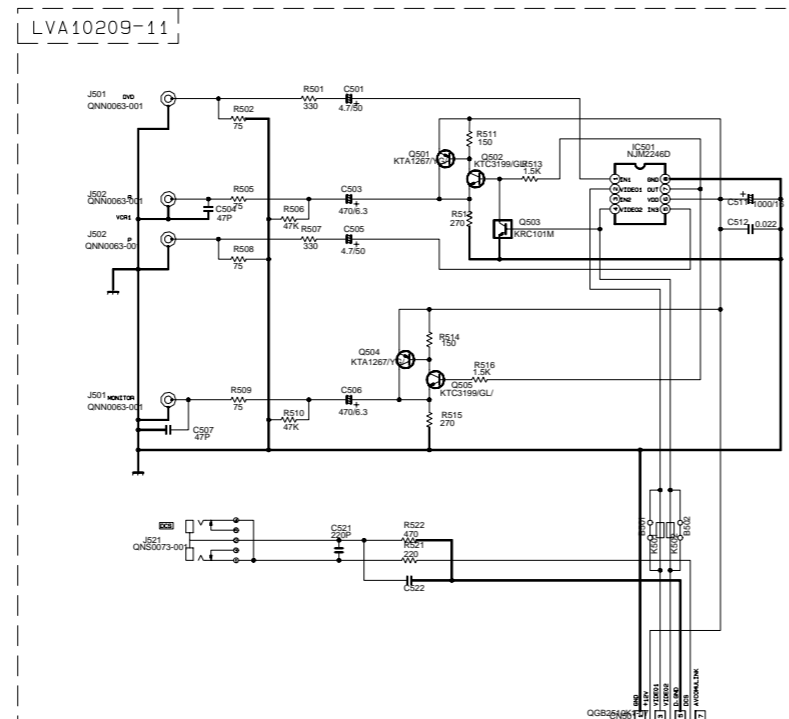
Sheet 4/8



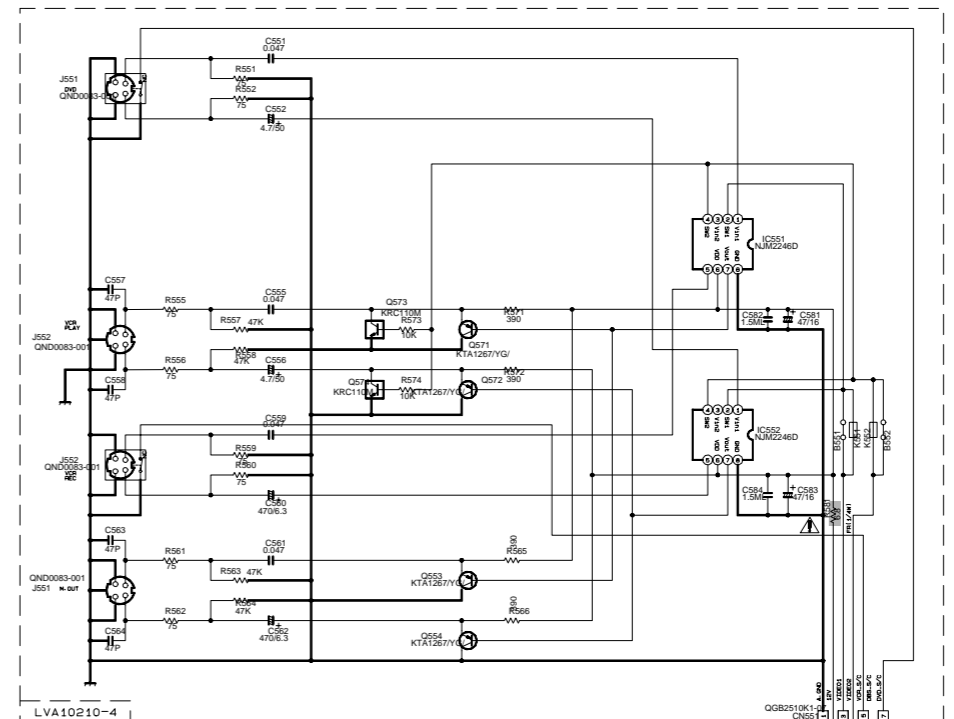
Sheet 4/8

➔ AUDIO signal
➔ TUNER signal

⚠ Parts are safety assurance parts. When replacing those parts make sure to use the specified.

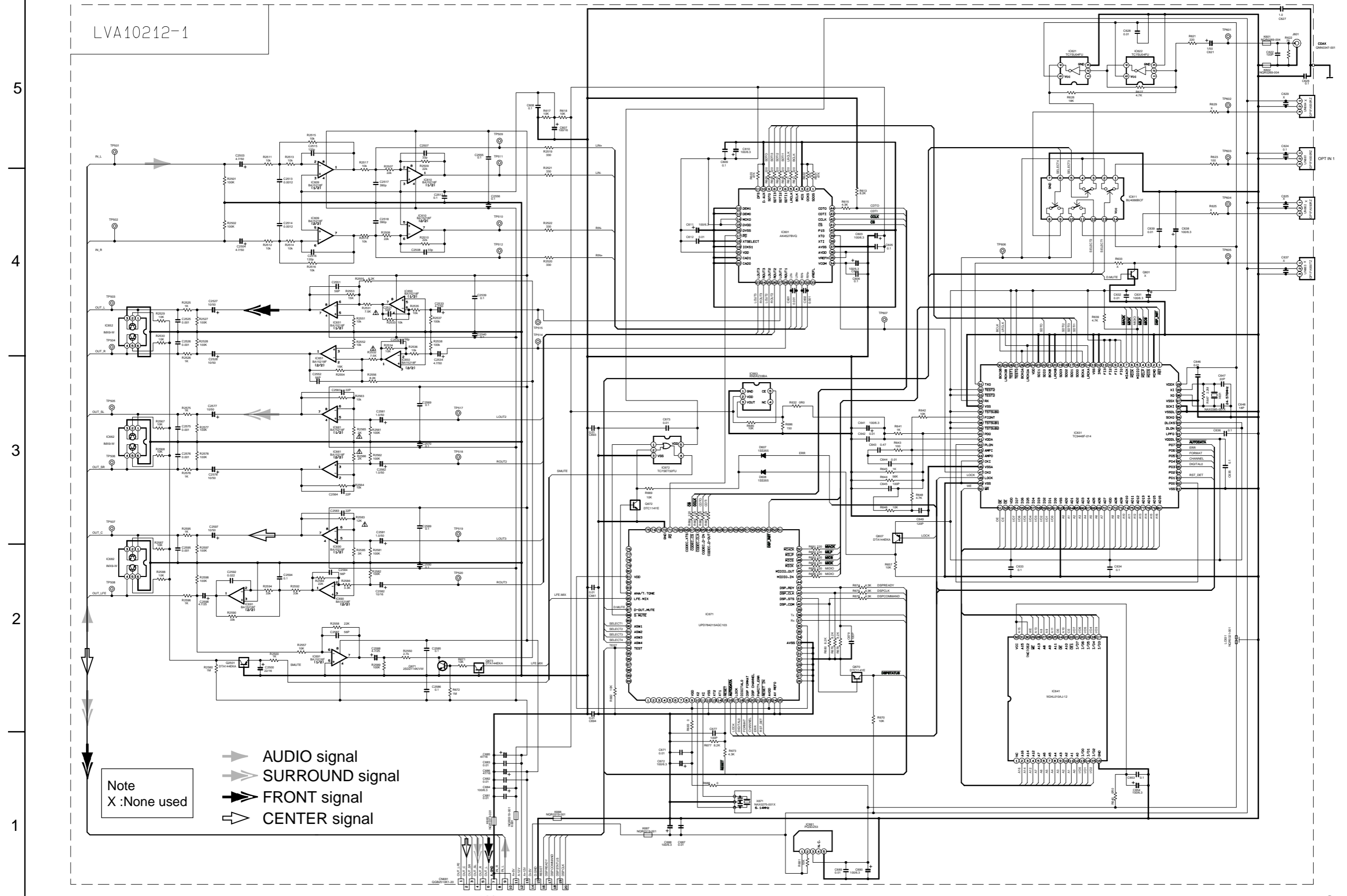


Sheet 4/8



Sheet 4/8

DSP section



LVA10212-1

Note
X: None used

- ➔ AUDIO signal
- ➔ SURROUND signal
- ➔ FRONT signal
- ➔ CENTER signal

System control and FL displaying section

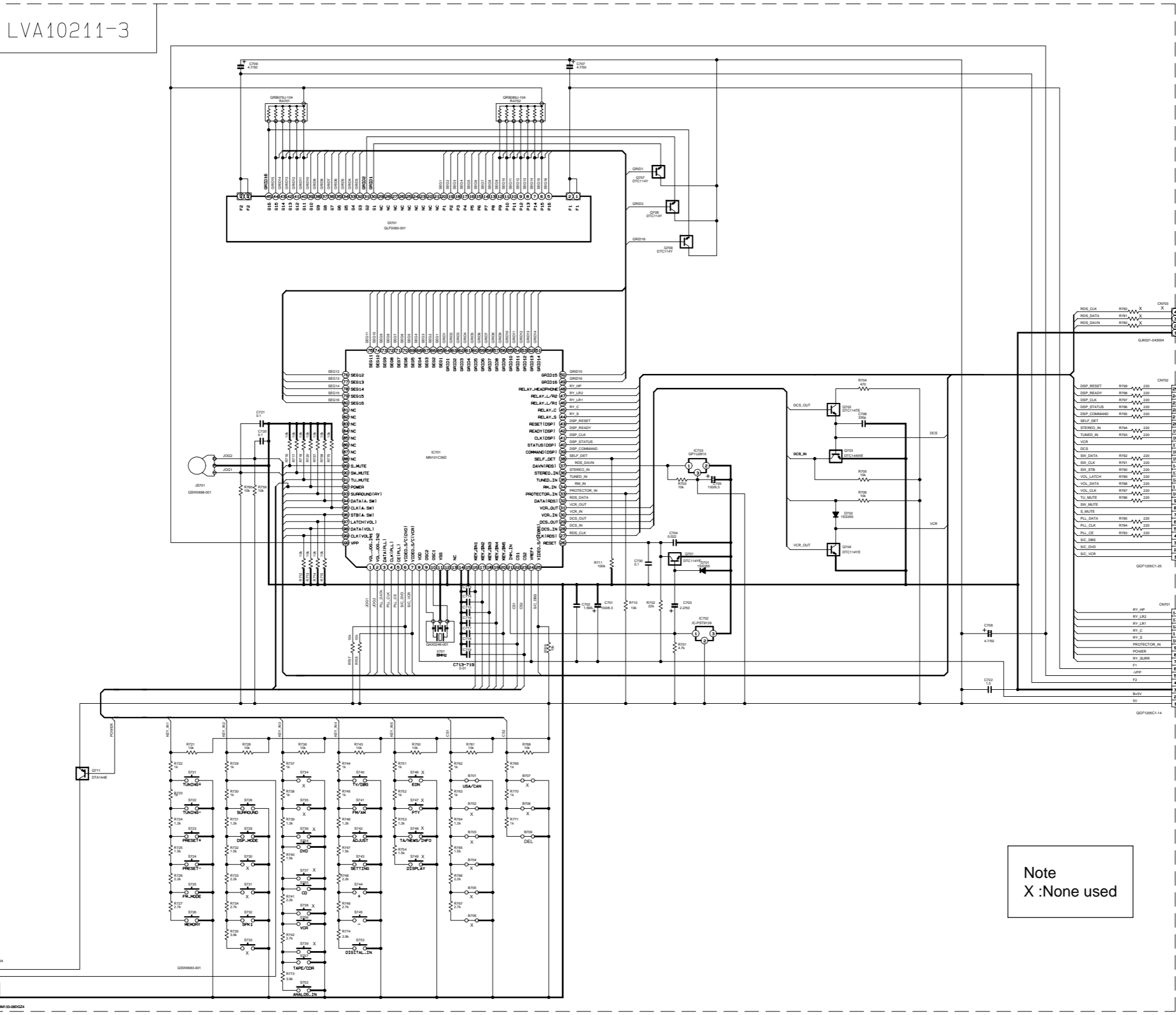
5

4

3

2

1



LVA10211-3

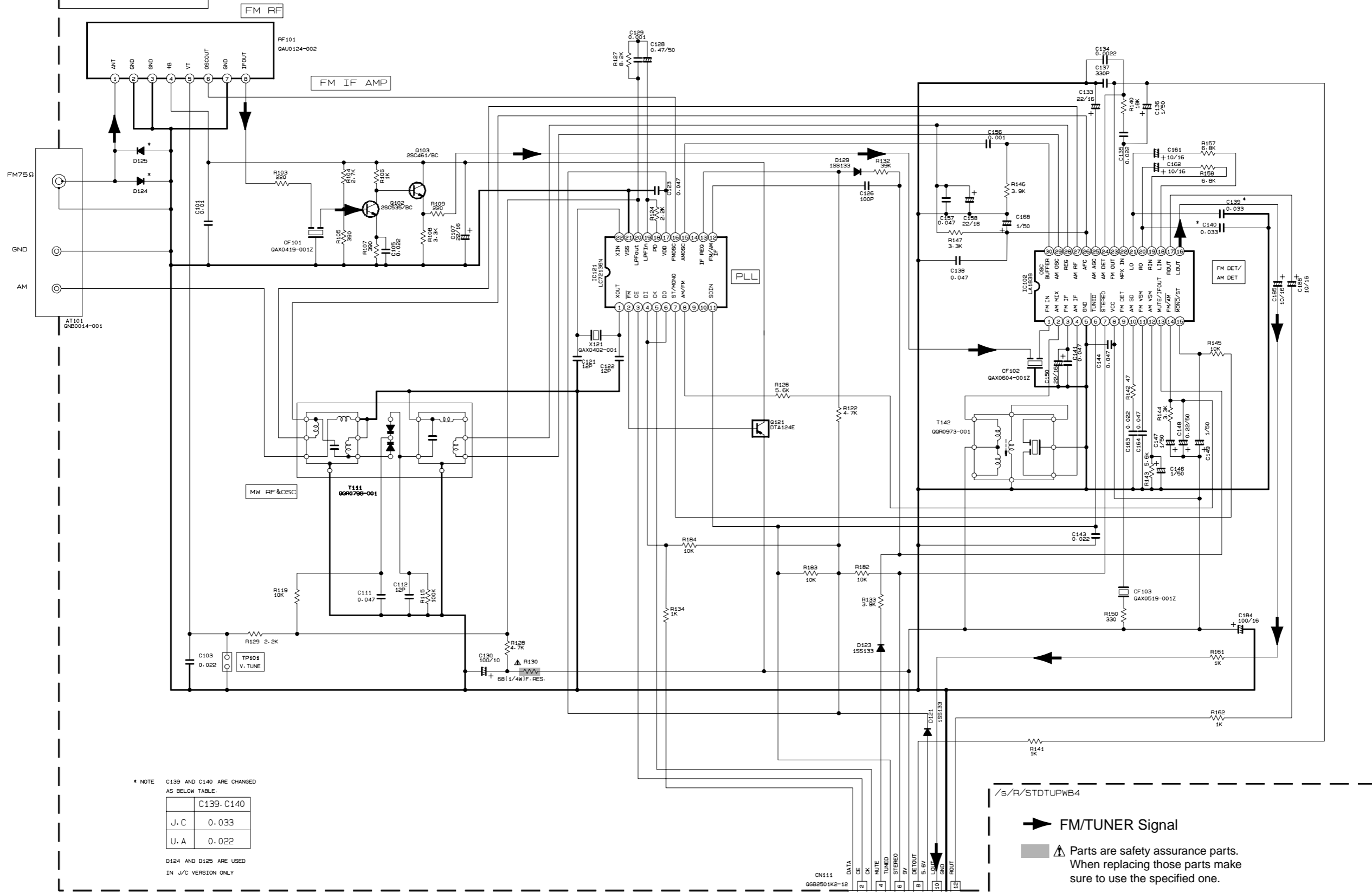
LVA10211-4

to CH402 (LVA10211-11) Sheet 4/8

to CH201 (LVA10209-61) Sheet 1/8

Tuner section

FOR J, C, U, A
LVA10009

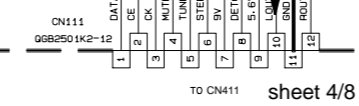


* NOTE C139 AND C140 ARE CHANGED AS BELOW TABLE.

	C139, C140
J, C	0.033
U, A	0.022

D124 AND D125 ARE USED IN J/C VERSION ONLY

➔ FM/TUNER Signal
 ⚠ Parts are safety assurance parts. When replacing those parts make sure to use the specified one.



Printed circuit boards

■ Main board

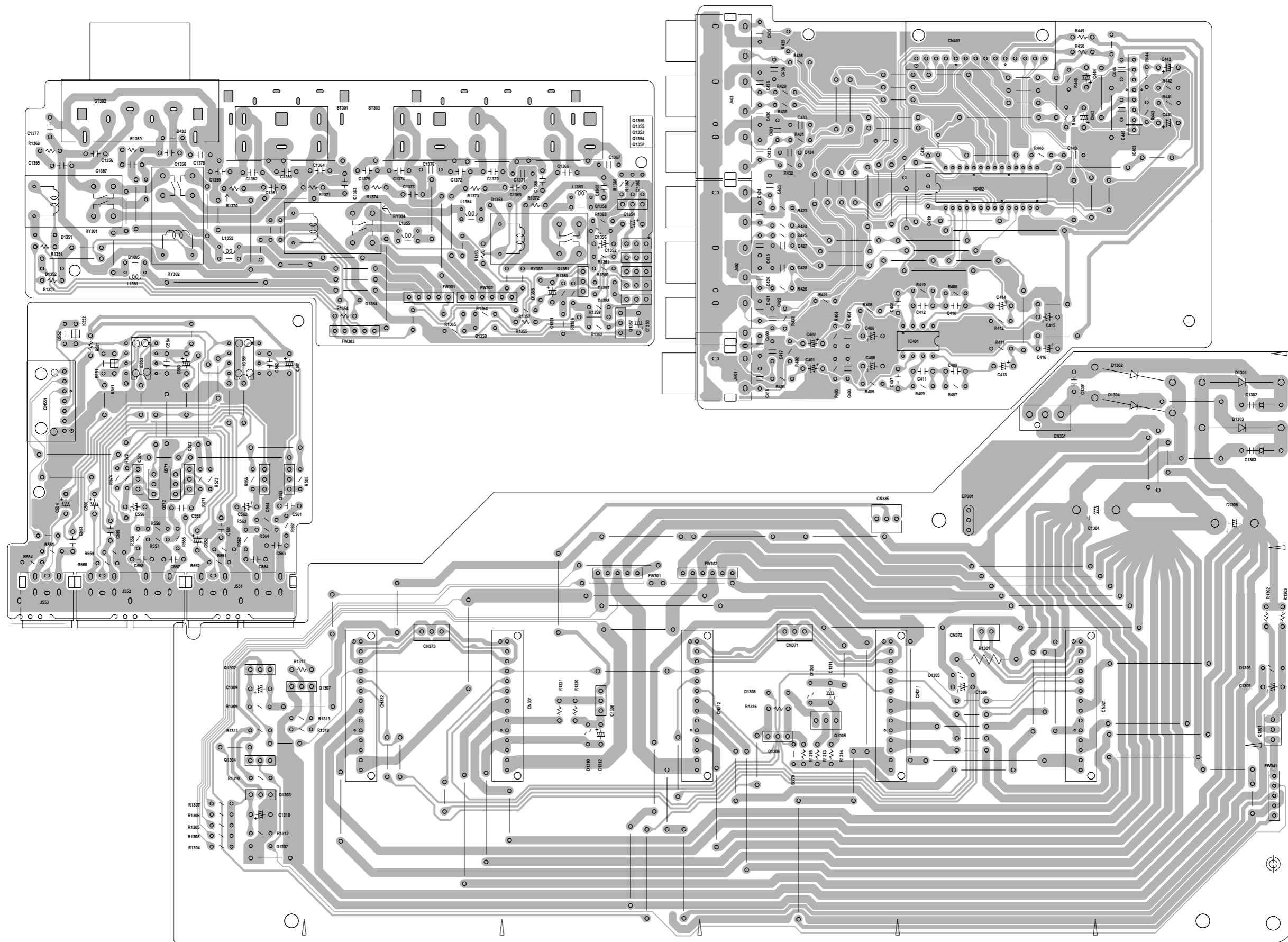
5

4

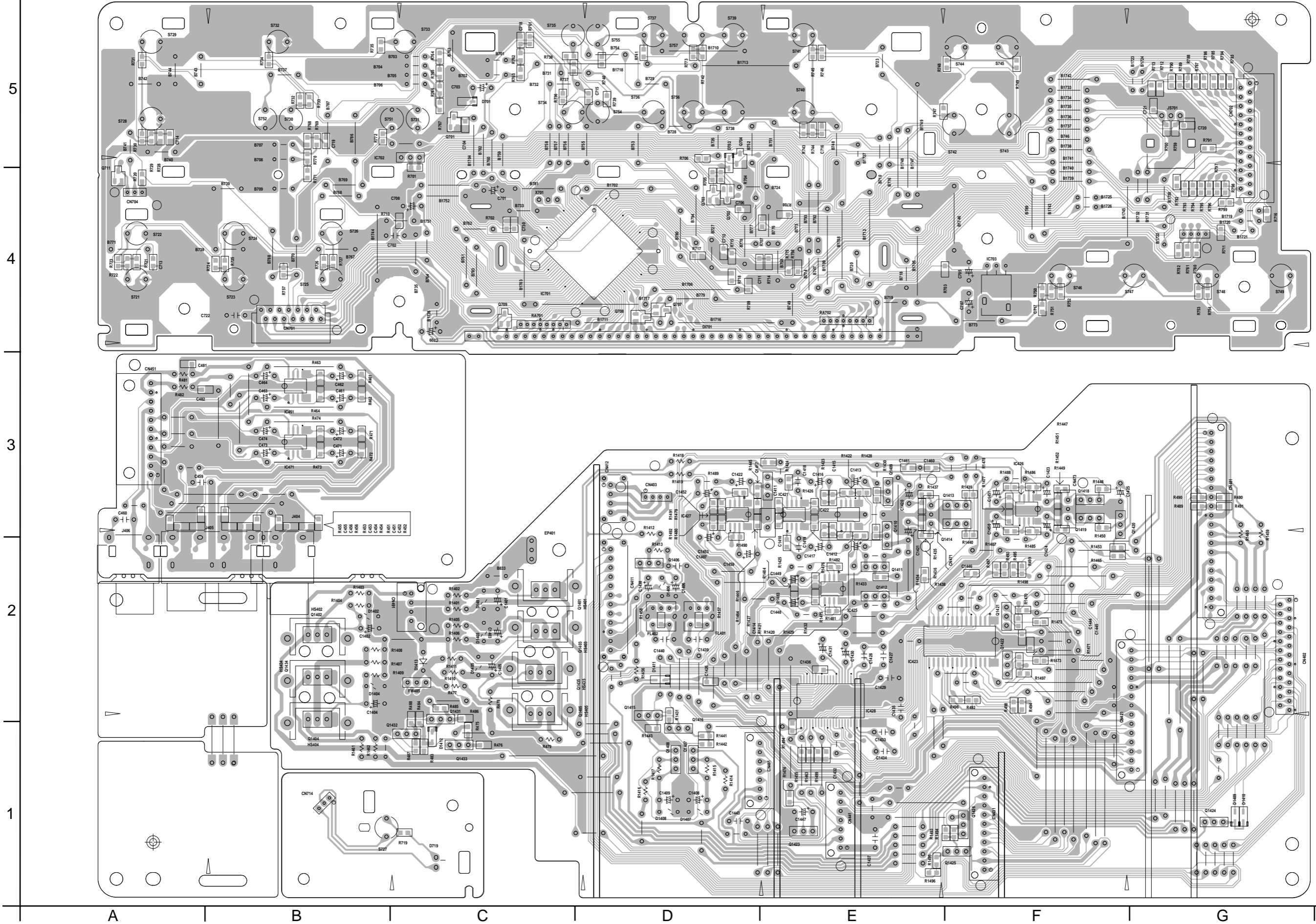
3

2

1



■ System control & Audio board



Power amp. board

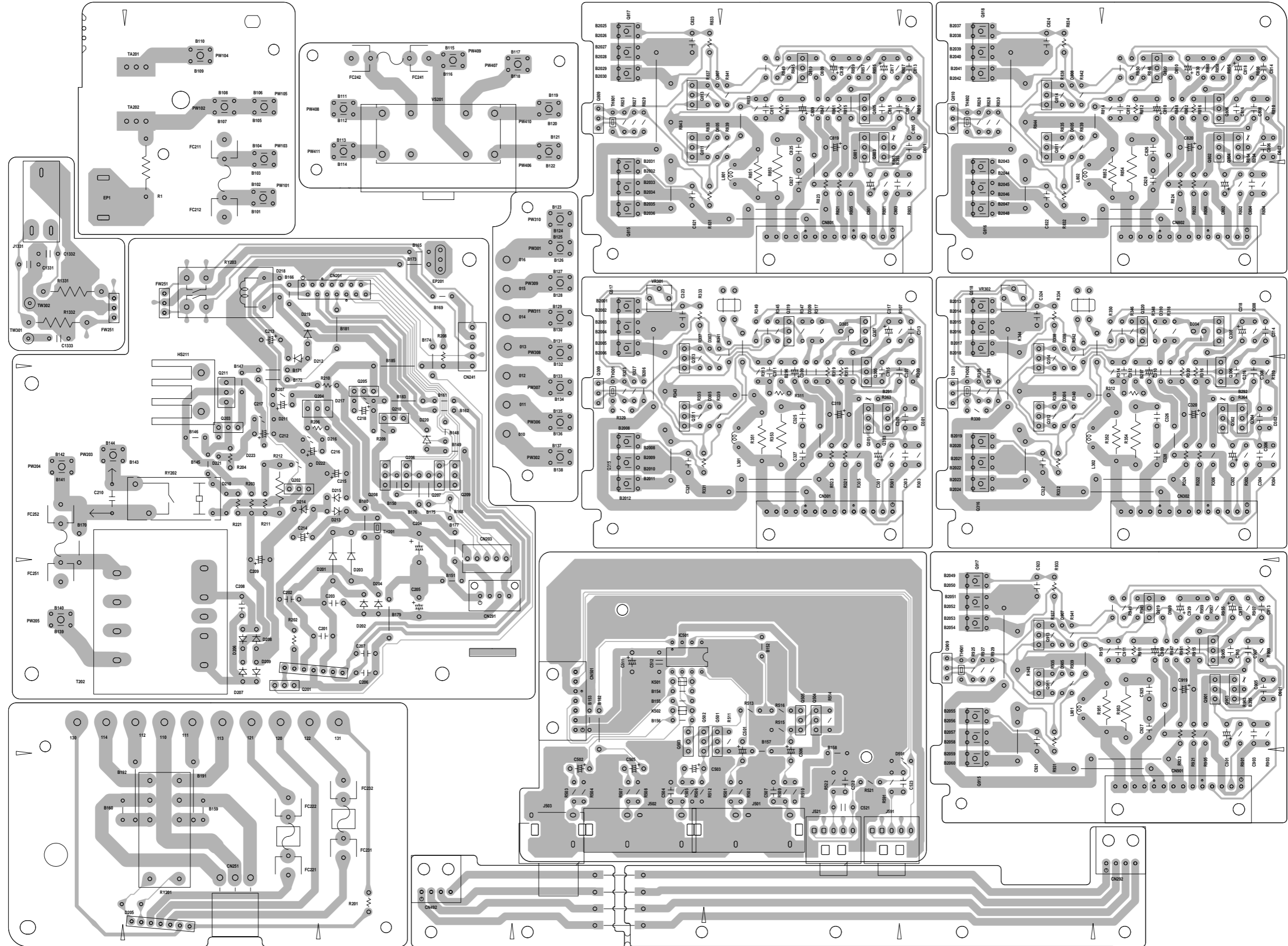
5

4

3

2

1



A B C 2-12 D E F G H

■ Tuner board

5
4
3
2
1

